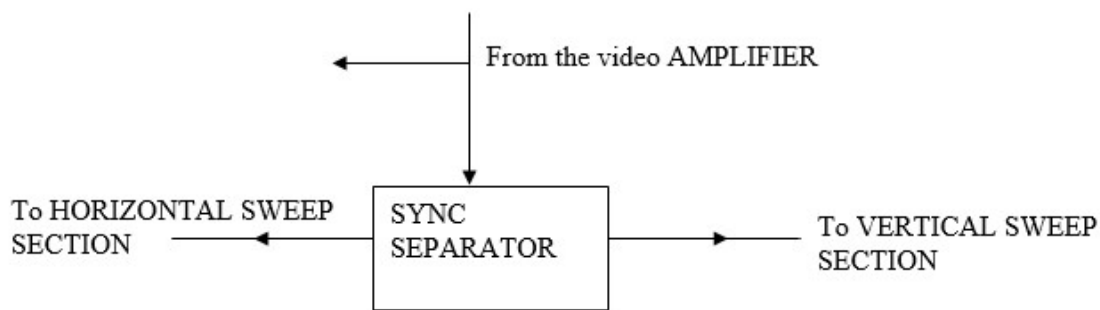


## THE SYNC SEPARATOR

The sync signal synchronizes the horizontal and vertical scanning on the CRT screen with the original signal broadcast from the station.

The video processing circuits separate the sync signals from the video signals. The sync separator circuit filter out unwanted signals, including video and noise. The clean sync signals are output to low-pass filters that separate the 60Hz vertical signals from the 15.750KHz horizontal signals.

The synchronizing pulses from the video amplifier are applied to the sync separator as well as the AGC. The sync separator separates the sync pulses from the video and send only the vertical sync pulses to the vertical sweep and the horizontal sync pulses to the horizontal sweep section.



## THE VERTICAL SWEEP

The vertical synchronizing pulse are applied to the vertical sweep section.

In this section the vertical seep signal is produced and applied to the deflection yoke.

This signal causes the beam of the of the picture tube to sweep vertically at a rate set by the sync pluses. As a result, the picture will be synchronized vertically by the scene being transmitted.

In this section, the vertical and height controls are located.

